

JDF-4S, 120V LIT PC W/ 4 SEG GFX

33.1" x 27.5" x 15.0"
(84.1cm x 69.9cm x 38.1cm)



- Patented High Intensity Mixing System delivers consistent quality in the cup --- cup after cup, from the top of the cup to the bottom
- Includes variety-pack of eight displays: Apple Juice; Cranberry Juice; Grape Juice; Lemonade; Orange Juice; Pineapple Juice; Prune Juice; Iced Tea
- LED lighted door graphics bring high visibility to front-of-house applications
- One dispenser delivers both frozen and ambient products, to maximize profitability by providing greater flexibility in product offerings
- 18lb (8.2 kg) ice bank provides superior cold drink capacity
- Portion Control dispense model: 3 dispense sizes can be set
- 7" (17.8cm) cup clearance accommodates most juice containers
- Quick dispense with 1.0 to 1.5oz (29.6 to 44.4ml) per second flow rate
- Door lock standard
- ADA compliant dispense switch kit model available for self-serve locations
- Service friendly design makes set up and maintenance simple
- Pumps and Mixes most 2+1 to 11+1 concentrates accurately and consistently, including 4+1 and 5+1 high viscosity concentrates



Specifications

Product #: 37300.6080

Flavors: 4 Flavors

Water Access: Plumbed

Finish: Black

Door: Lit

Refrigerant: R-134A

Ice Bank: 18.00 lbs (8.165 kgs)

Dispense: Push Button

Dispense: Single Size Portion Control

Additional Features

Remote Switches

Electrical & Capacity

Volts	Amps	Watts	Cord Attached	Plug Type	8oz cups/hr 236ml cups/hr	Input H ² O Temp.	Phase	# Wires plus Ground	Hertz
120	6	720	Yes	NEMA 5-15P	-	60°F (15.5°C)	1	2	60

Plumbing Requirements

PSI	kPa	Fitting Supplied	Water Flow Required (GPM)
20-100	138-689	3/8" Male Flare Fitting	-

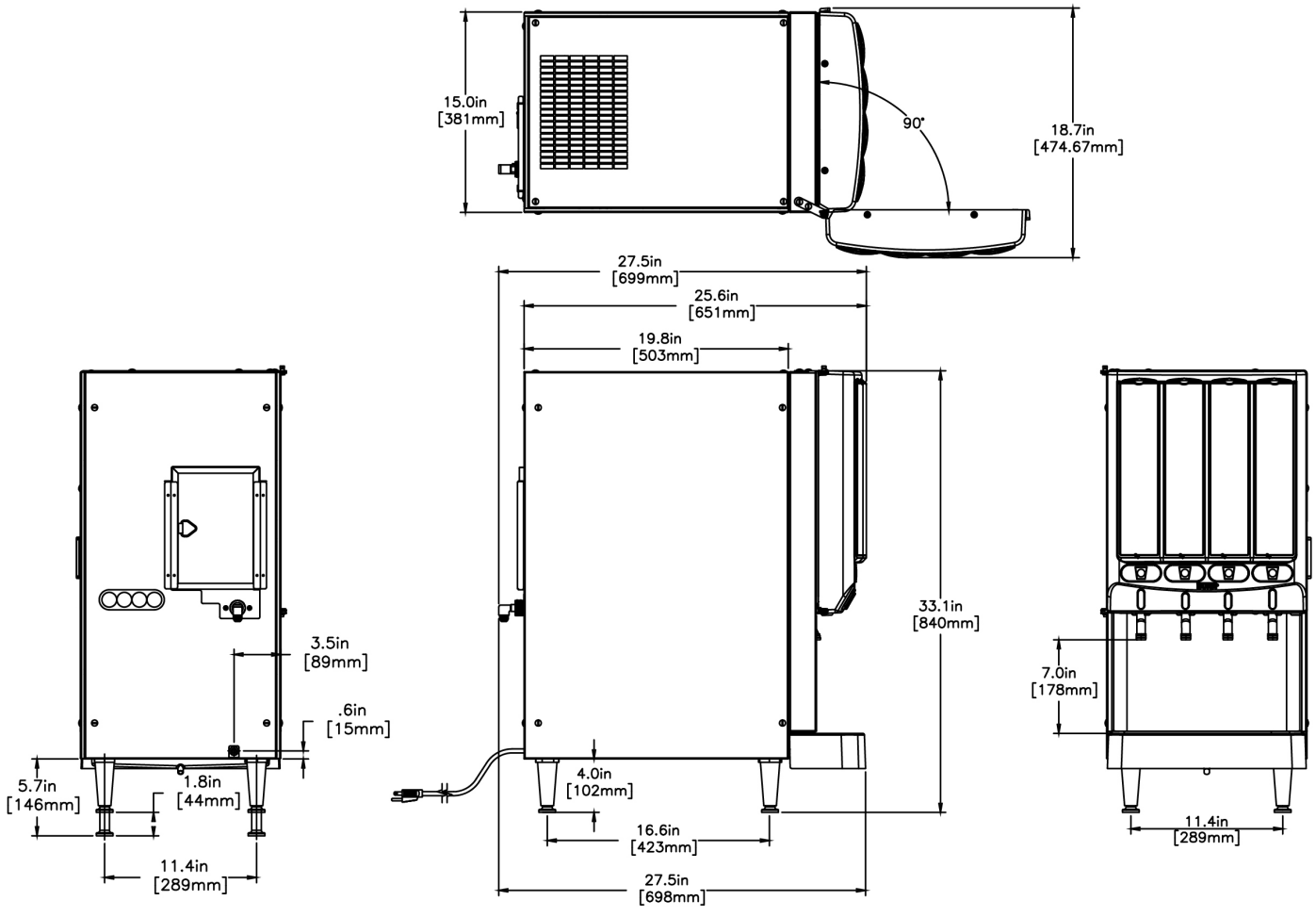
CAD Drawings

2D	Revit	KLC
•		



BUNN® reserves the right to change specifications and product design without notice. Such revisions do not entitle the buyer to corresponding changes, improvements, additions or replacements for previously purchased equipment. For most current specifications and other info visit bunn.com.

Created on:
11/04/2019



Unit			Shipping					
	Width	Height	Depth	Width	Height	Depth	Weight	Volume
English	15.0 in.	33.1 in.	27.5 in.	-	-	-	-	-
Metric	38.1 cm	84.1 cm	69.9 cm	-	-	-	-	-



BUNN® reserves the right to change specifications and product design without notice. Such revisions do not entitle the buyer to corresponding changes, improvements, additions or replacements for previously purchased equipment. For most current specifications and other info visit bunn.com.

Created on:
11/04/2019

Related Products & Accessories: JDF-4S, 120V LIT PC W/ 4 SEG GFX(37300.6080)


KIT, AMBIENT CONC
CVRSN JDF-4

Product #: 33699.0001



WATER FILTER,
EQHP-10

Product #: 39000.0004



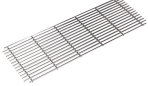
CARTRIDGE,
EQHP-10CRTG

Product #: 39000.1004



CONTAINER ASSY,
REFILLABLE

Product #: 39302.0000




WIRE GRILL, DRIP TRAY
(JDF-4S)

Product #: 39613.0000

KIT, HOSE ASSY-PUMP
JDF-2S/4S

Product #: 39690.0000



TRAY, EXTENDED DRIP
JDF-4S

Product #: 40789.1000



KIT, SWITCH COVER-4
VLV PUSH & HOLD ONLY

Product #: 45541.1000

KIT, SW COVER-4 VLV W/
WTR PUSH&HOLD ONLY

Product #: 45541.1001

Serving & Holding Options: JDF-4S, 120V LIT PC W/ 4 SEG GFX(37300.6080)

Serving and Holding selections are currently unavailable. Please contact your sales representative to find out more information.



BUNN® reserves the right to change specifications and product design without notice. Such revisions do not entitle the buyer to corresponding changes, improvements, additions or replacements for previously purchased equipment. For most current specifications and other info visit bunn.com.

Created on:
11/04/2019